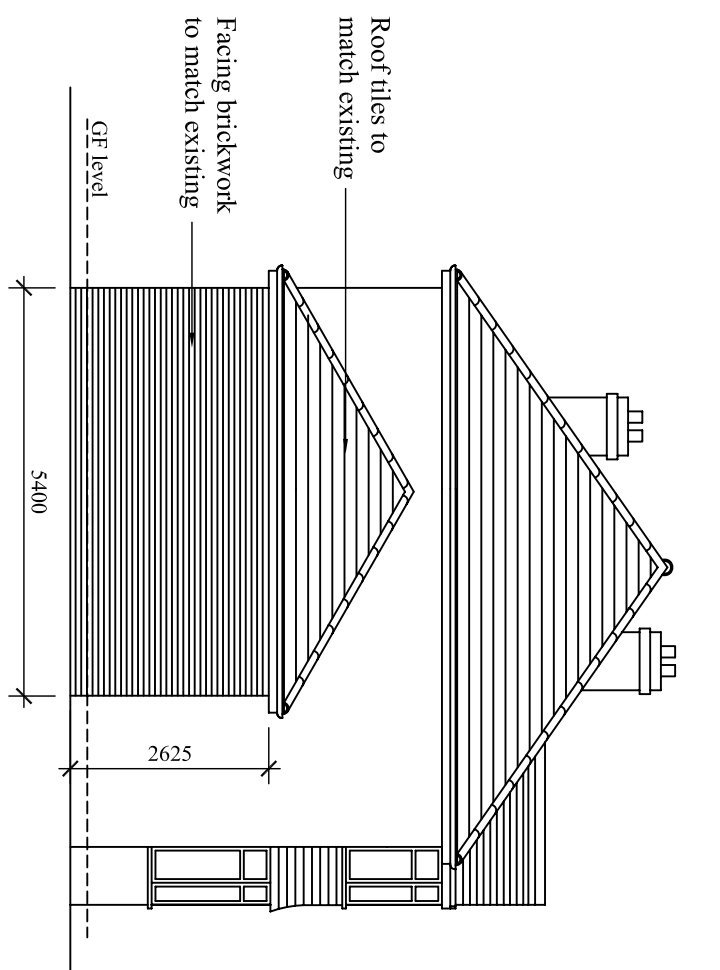
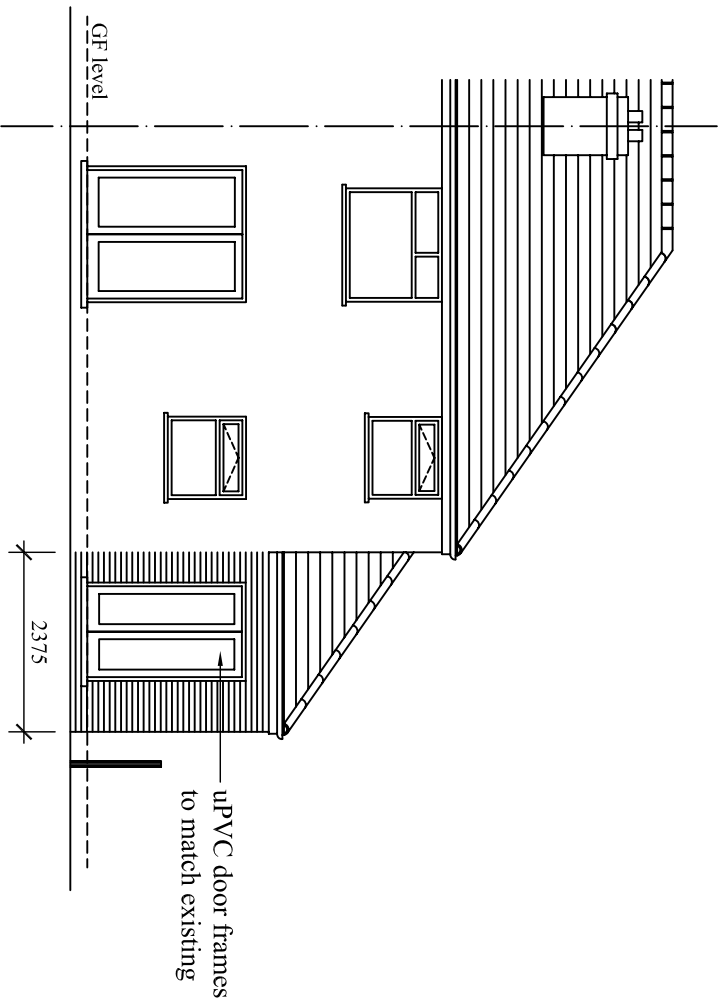


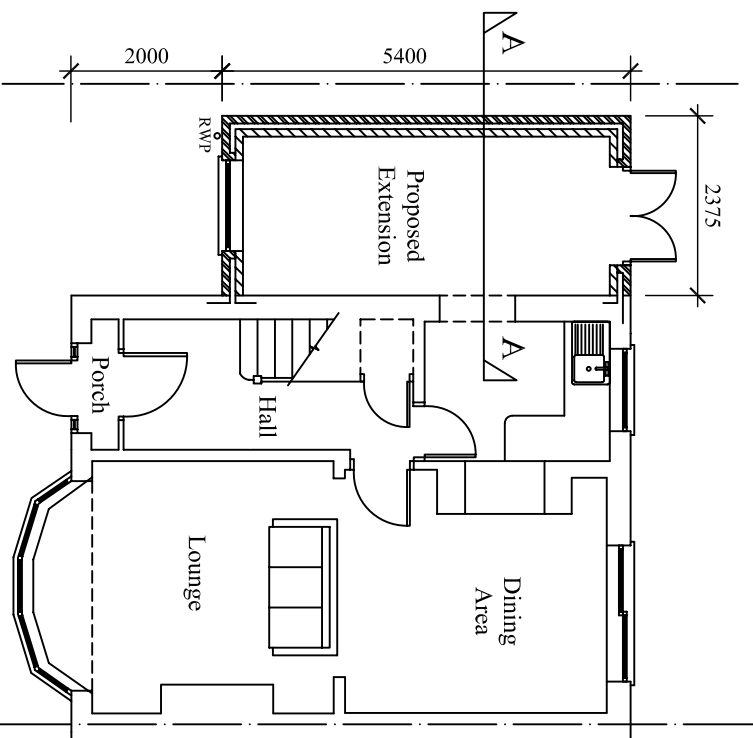
PROPOSED FRONT ELEVATION
(Scale 1:100)



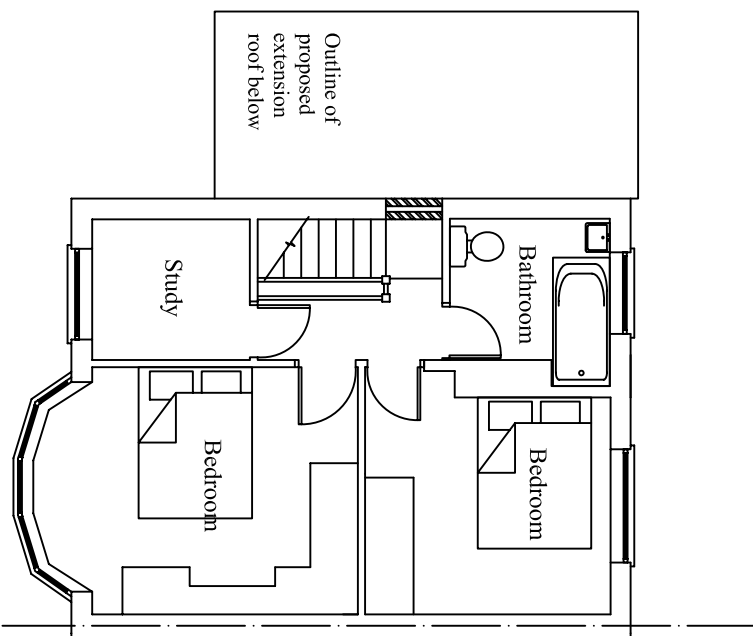
PROPOSED SIDE ELEVATION
(Scale 1:100)



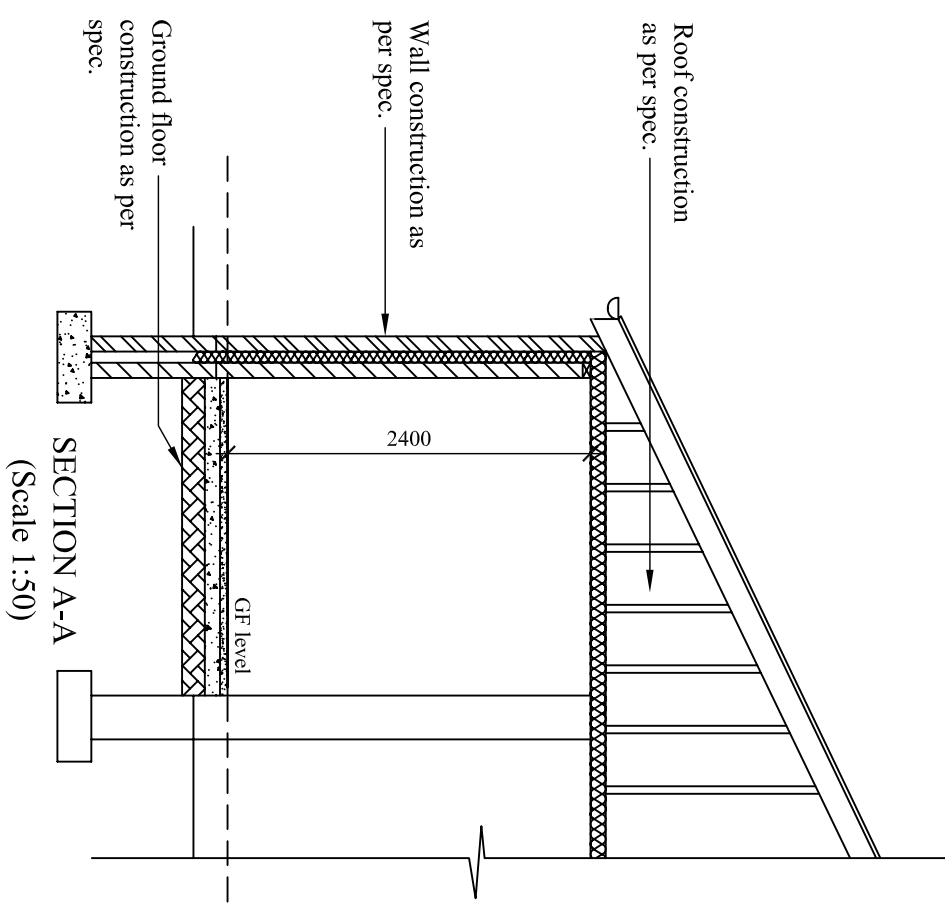
PROPOSED REAR ELEVATION
(Scale 1:100)



PROPOSED GROUND FLOOR PLAN
(Scale 1:100)



PROPOSED FIRST FLOOR PLAN
(Scale 1:100)



SECTION A-A
(Scale 1:50)

Project: Example Single Storey Side Extension

Drawing: Proposed Plans, Elevations & Section A-A

Date: _____

Scale: 1:100 & 1:50